



Description

Motor technology: AC
 Rated voltage U_N : 1~ 230 V \pm 10 %*
 Rated frequency f_N : 50 Hz*
 Motor input power P_1 : 0.26 kW*
 Rated current I_N : 1.15 A*
 Rated speed n_N : 1320 min⁻¹*
 Current increase ΔI : 10 %
 Service capacitor C_{400V} : 5.0 μ F
 Thermal class: THCL155*
 Min. permitted conveyor temperature $t_{R(min)}$: -25 °C
 Max. permitted conveyor temperature $t_{R(max)}$: 55 °C
 Electrical connection: Terminal box
 Number of blades: 7
 Protection class: IP54
 Motor protection: Thermal contact
 Blades: High Performance Composite Material, uncoated, black
 Rotor: Aluminium, 1 coat paint, black
 Conformity: ErP 2015, CE

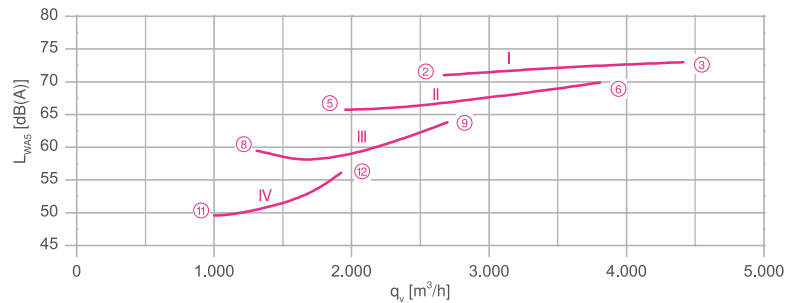
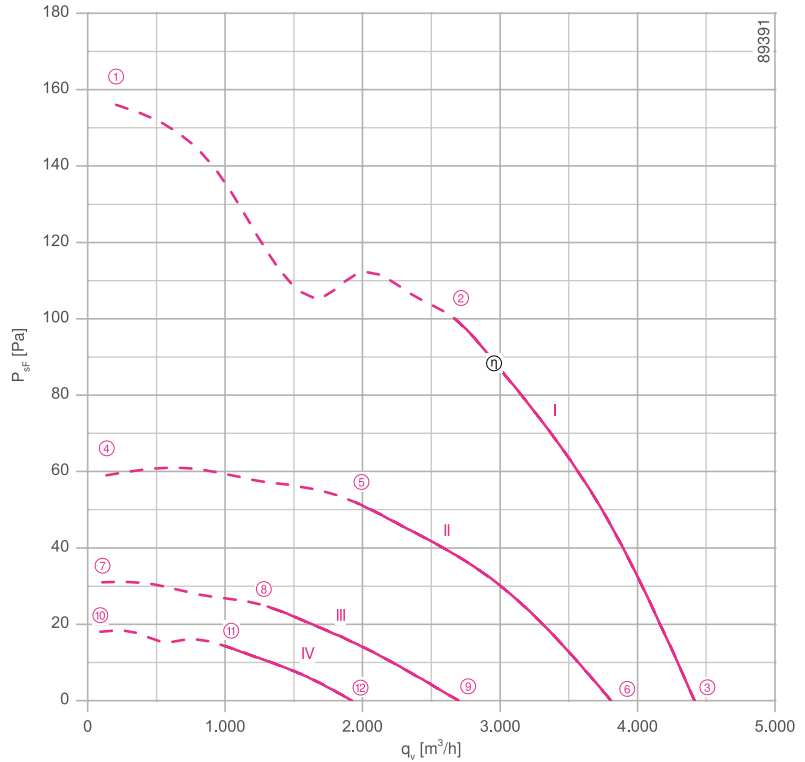
ErP Data

Efficiency η_{statA} : 30.0 %
 Efficiency: $N_{actual} = 40.0 / N_{target} = 40$ **
 * Rated data
 **ErP 2015

Connection diagrams Page 608
 for airflow direction V 1360-104XA
 for airflow direction A 1360-104XB

System components Page 524

Characteristic curve

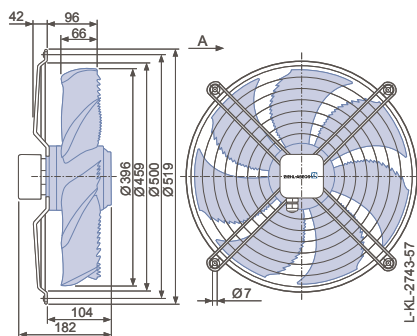


Measured in full bell mouth without guard grille in installation type A according to ISO 5801.

Dimensions [mm]

Airflow direction A



Design D - axial bolted, suspension for full bell mouth Q and L



curve	U [V]		I [A]	power P ₁ [W]	n [min ⁻¹]	power level L _{WA5} [dB]	
FN040-4E_OF_7P2	I	230	①	1.45	330	1190	
		230*	②	1.15*	260*	1320*	71
		230	③	0.92	210	1380	73
	II	170	④	1.35	220	730	
		170	⑤	1.25	210	960	66
		170	⑥	1.05	180	1200	70
	III	135	⑦	1.10	150	540	
		135	⑧	1.10	140	660	59
		135	⑨	1.05	140	850	64
	IV	110	⑩	0.92	95	420	
		110	⑪	0.92	95	500	50
		110	⑫	0.90	95	610	56

*rated data

Fan ordering information

Airflow direction A		Airflow direction V	
Design	D		K
			
Type	FN040-4ED.0F.A7P2		FN040-4EK.0F.V7P2
Article no.	156231		156236
Weight [kg]	5.10		5.70

Control technology

Frequency inverter Fcontrol 1~  Page 552	Motor protection units 1~  Page 596	Transformer-based controllers 1~  Page 587	Electronic voltage controllers 1~  Page 562
--	---	--	--

Airflow direction V

Design K - axial bolted, mounted for short bell mouth E

