



Compressor
Voltage Code : TZ

AJ4519P-TZ

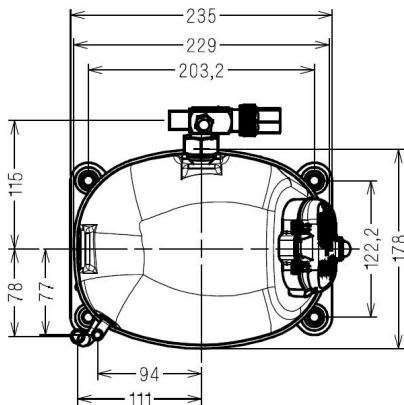
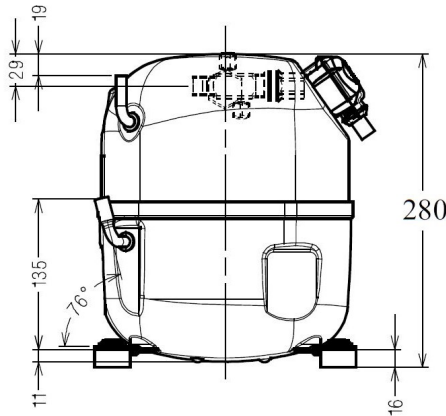
High Temp. Commercial (HP)

400V 3~ 50Hz / 440V 3~ 60 Hz

R455A / R454C

AJ4519P-TZ1A

Conditions	Frequency	Nominal Cooling Capacity		Sound Power ISO3745 / ISO 3743-1
		Watts	BTU/h	
EN12900 / R455A	50 Hz / 60 Hz	4002 / 4605	13646 / 15704	68 dBA
EN12900 / R454C	50 Hz / 60 Hz	3519 / 3942	12000 / 13441	68 dBA



Displacement (cc)	34,45
Net Weight (Kg)	21.0
Oil Quantity (cc)	475.0
Oil Type	Polyolester
Expansion Device	Capillary_Tube/Expansion_Valve
Cooling	Fan
Main Winding (Ohm)	8.7
Current	
RLA (A)	3.5 3.5
MCC (A)	5.3 5.4
LRA (A)	22 23
Electrical Equipment	TRI
Overload	Interne
Refrigerating connection for	
Suction Tube	15.9 (5/8")
Discharge Tube	9.5 (3/8")
Process Tube	6.35 (1/4")

* EN12900 : T°Cond. 50.0°C / T°Evap. 5.0°C / T°Return gas temp.. 20.0°C
T°Subcooling. 0.0K

Certificates :



Note : Tecumseh reserves the right to change information contained in this document without notification.



Tecumseh

AJ4519P-TZ	Tension TZ : 400V 3~ 50Hz / 440V 3~ 60 Hz
-------------------	--

Les performances sont données dans les conditions EN12900 :	Gaz aspirés :	20.0 °C
Condition Dew	Sous refroidissement :	0.0 K
The performance data are in EN12900 conditions :	Return gas :	20.0 °C
Dew Condition	Subcooling :	0.0 K

50 Hz R455A											
N°User-92											
4 T condensation	5 T évaporation	(°C)	-25	-20	-15	-10	-5	0	5	10	15
30	1 P frigorifique	(Watt)		1772	2304	2936	3682	4556	5572	6745	8090
	2 P absorbée	(W)		906	999	1085	1164	1236	1299	1352	1395
	3 I absorbée	(A)		2.44	2.54	2.63	2.72	2.80	2.87	2.95	3.02
40	1 P frigorifique	(Watt)			1941	2500	3156	3921	4810	5839	7020
	2 P absorbée	(W)			1080	1194	1301	1402	1495	1579	1655
	3 I absorbée	(A)			2.60	2.73	2.86	2.99	3.11	3.24	3.36
50	1 P frigorifique	(Watt)				2036	2595	3245	4002	4879	5892
	2 P absorbée	(W)				1284	1424	1558	1686	1806	1918
	3 I absorbée	(A)				2.85	3.02	3.20	3.37	3.55	3.74
60	1 P frigorifique	(Watt)					2025	2554	3172	3892	4730
	2 P absorbée	(W)					1522	1695	1862	2023	2176
	3 I absorbée	(A)					3.17	3.40	3.63	3.87	4.11

60 Hz R455A											
N°User-92											
4 T condensation	5 T évaporation	(°C)	-25	-20	-15	-10	-5	0	5	10	15
30	1 P frigorifique	(Watt)		2112	2725	3418	4211	5119	6162	7355	8718
	2 P absorbée	(W)		1075	1195	1304	1402	1487	1560	1619	1665
	3 I absorbée	(A)		2.16	2.28	2.40	2.51	2.62	2.72	2.82	2.92
40	1 P frigorifique	(Watt)			2299	2948	3675	4498	5434	6501	7716
	2 P absorbée	(W)			1277	1430	1573	1705	1827	1937	2035
	3 I absorbée	(A)			2.37	2.54	2.72	2.88	3.05	3.21	3.36
50	1 P frigorifique	(Watt)				2404	3057	3785	4605	5536	6594
	2 P absorbée	(W)				1509	1696	1875	2045	2205	2355
	3 I absorbée	(A)				2.63	2.87	3.09	3.32	3.54	3.75
60	1 P frigorifique	(Watt)					2393	3017	3712	4497	5389
	2 P absorbée	(W)					1765	1990	2207	2416	2618
	3 I absorbée	(A)					2.96	3.25	3.53	3.81	4.09

1 = cooling capacity 2 = power input 3 = current 4 = condensing temperature 5 = evaporating temperature

Nota : Tecumseh se réserve le droit de modifier les informations contenues dans ce document sans préavis.

Note : Tecumseh reserves the right to change information contained in this document without notification.

© 2022 Tecumseh Products Company
All rights reserved



Tecumseh

AJ4519P-TZ	Tension TZ : 400V 3~ 50Hz / 440V 3~ 60 Hz
-------------------	--

Les performances sont données dans les conditions EN12900 :	Gaz aspirés :	20.0 °C
Condition Dew	Sous refroidissement :	0.0 K
The performance data are in EN12900 conditions :	Return gas :	20.0 °C
Dew Condition	Subcooling :	0.0 K

50 Hz R454C											
N°User-91											
4 T condensation	5 T évaporation	(°C)	-25	-20	-15	-10	-5	0	5	10	15
30	1 P frigorifique	(Watt)		1755	2241	2803	3451	4198	5052	6027	7132
	2 P absorbée	(W)		906	996	1083	1169	1255	1342	1432	1524
	3 I absorbée	(A)		2.31	2.40	2.49	2.59	2.69	2.81	2.94	3.08
40	1 P frigorifique	(Watt)			1807	2298	2859	3499	4230	5063	6010
	2 P absorbée	(W)			1064	1168	1269	1368	1467	1567	1669
	3 I absorbée	(A)			2.43	2.56	2.70	2.85	3.00	3.16	3.34
50	1 P frigorifique	(Watt)				1859	2346	2896	3519	4227	5030
	2 P absorbée	(W)				1243	1370	1493	1616	1737	1859
	3 I absorbée	(A)				2.66	2.84	3.03	3.22	3.42	3.63
60	1 P frigorifique	(Watt)					1896	2371	2901	3499	4174
	2 P absorbée	(W)					1448	1608	1764	1919	2072
	3 I absorbée	(A)					3.00	3.23	3.46	3.71	3.96

60 Hz R454C											
N°User-91											
4 T condensation	5 T évaporation	(°C)	-25	-20	-15	-10	-5	0	5	10	15
30	1 P frigorifique	(Watt)		2025	2569	3179	3873	4666	5573	6611	7794
	2 P absorbée	(W)		1102	1216	1318	1416	1518	1633	1770	1936
	3 I absorbée	(A)		2.19	2.35	2.51	2.68	2.86	3.06	3.26	3.49
40	1 P frigorifique	(Watt)			2066	2616	3230	3922	4709	5606	6628
	2 P absorbée	(W)			1274	1412	1538	1661	1788	1930	2093
	3 I absorbée	(A)			2.35	2.54	2.73	2.94	3.16	3.38	3.63
50	1 P frigorifique	(Watt)				2112	2658	3263	3942	4711	5585
	2 P absorbée	(W)				1474	1637	1789	1937	2091	2259
	3 I absorbée	(A)				2.58	2.80	3.03	3.28	3.53	3.80
60	1 P frigorifique	(Watt)					2151	2681	3265	3919	4658
	2 P absorbée	(W)					1710	1899	2076	2251	2432
	3 I absorbée	(A)					2.87	3.14	3.41	3.69	3.98

1 = cooling capacity 2 = power input 3 = current 4 = condensing temperature 5 = evaporating temperature

Nota : Tecumseh se réserve le droit de modifier les informations contenues dans ce document sans préavis.

Note : Tecumseh reserves the right to change information contained in this document without notification.

© 2022 Tecumseh Products Company
All rights reserved