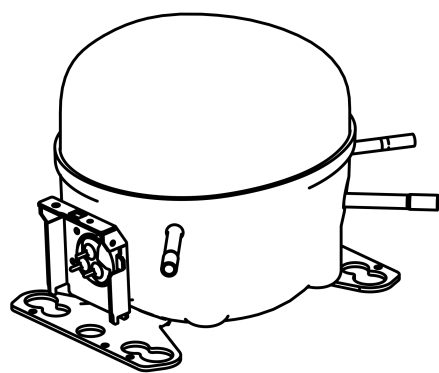


EMT6160Z



ENGINEERING CODE
194QA67



REFRIGERANT
R-134a



POWER SUPPLY
220-240 V 50 Hz



APPLICATION
HBP



MOTOR TYPE
CSIR



STANDARD
EN12900



COOLING CAPACITY
647 W



EFFICIENCY
2.29 W/W

DATA

GENERAL DATA

Model	EMT6160Z
Type	Hermetic Reciprocating
Technology	ON/OFF
Compressor Application	HBP
Expansion Device	Capillary Tube or Expansion Valve
Compressor Cooling	Fan/220
HP	1/4
Starting Torque	HST
Plant	ITALY

ELECTRICAL DATA

Start Winding Resistance	null
Run Winding Resistance	null
Locked Rotor Amperage (LRA) 50Hz	9.8 A

MECHANICAL DATA

Displacement	6.76 cm ³
Oil Charge	180 ml
Oil Type	ESTER
Oil Viscosity	ISO22
Weight	7.8 Kg

ELECTRICAL COMPONENTS

Start Capacitor	53-64 µf/330 V
CSR CSIR BOX	No
Starting Device Type	RELAY
Starting Device Description	MTRP-36*
Overload Protection	T0571/G6

PERFORMANCE

TESTED CONDITIONS

Tested Refrigerant	R-134a
Tested Application	HBP
Tested Standard	EN12900
Tested Cooling	Fan
Tested Voltage	220 V
Max Refrigerant Charge	250 g
Refrigerant Temperature	Dew

RATED POINTS

Condensing Temperature °C	Evaporating Temperature °C	Cooling Capacity W	Efficiency W/W	Power Consumption W	Current A	Gas Flow Rate kg/h
50	5	647	2.29	282	-	16.24

Test Condition: Subcooling 0 K, Return Gas 20 °C. Data are an indication of performance based simulation.

PERFORMANCE CURVE

Condensing Temperature 35°C

Evaporating Temperature °C	Cooling Capacity W	Efficiency W/W	Power Consumption W	Current A	Gas Flow Rate kg/h
-15	343	2.02	170	-	7.25
-10	430	2.30	187	-	9.14
-5	532	2.58	206	-	11.37
0	649	2.88	225	-	13.96
5	783	3.23	242	-	16.97
10	934	3.68	254	-	20.42

Test Condition: Subcooling 0 K, Return Gas 20 °C. Data are an indication of performance based simulation.

PERFORMANCE CURVE

Condensing Temperature 45°C

Evaporating Temperature °C	Cooling Capacity W	Efficiency W/W	Power Consumption W	Current A	Gas Flow Rate kg/h
-15	298	1.62	185	-	6.92
-10	376	1.87	201	-	8.78
-5	468	2.09	223	-	10.97
0	573	2.31	248	-	13.53
5	693	2.53	274	-	16.51
10	829	2.79	298	-	19.93

Test Condition: Subcooling 0 K, Return Gas 20 °C. Data are an indication of performance based simulation.

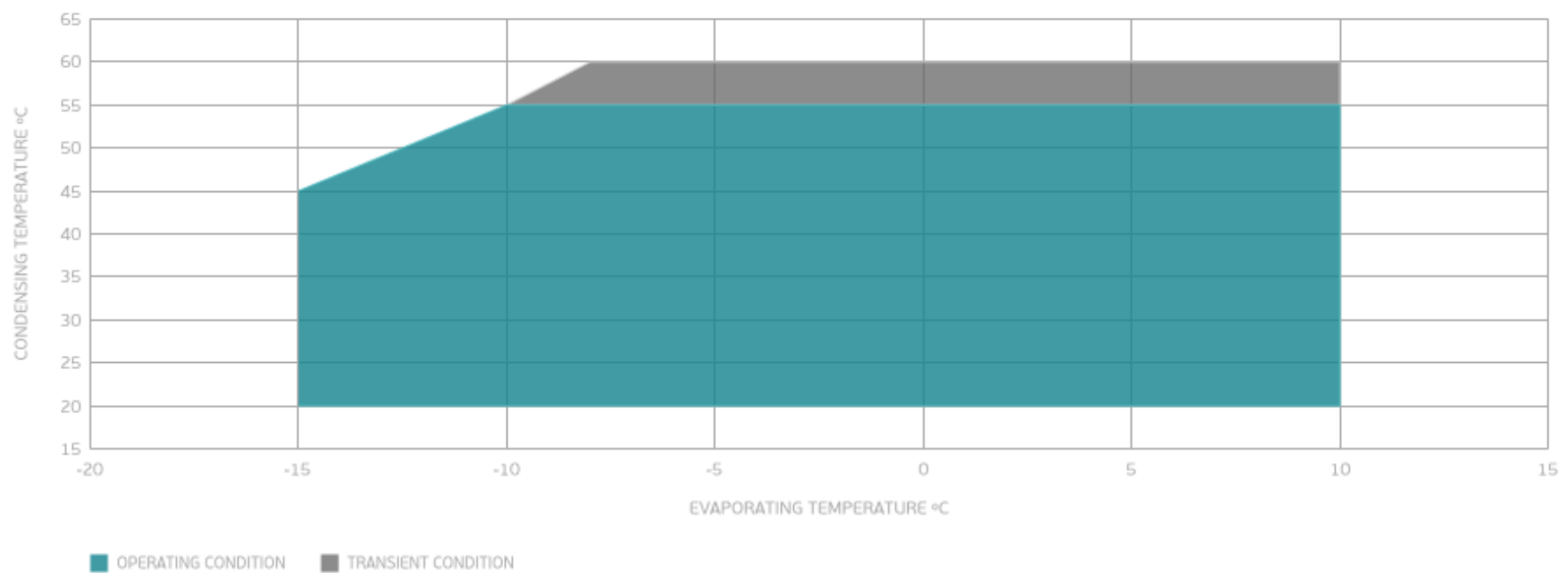
PERFORMANCE CURVE

Condensing Temperature 55°C

Evaporating Temperature °C	Cooling Capacity W	Efficiency W/W	Power Consumption W	Current A	Gas Flow Rate kg/h
-10	322	1.55	208	-	8.35
-5	403	1.76	229	-	10.50
0	495	1.93	256	-	13.02
5	601	2.10	286	-	15.96
10	721	2.27	318	-	19.34

Test Condition: Subcooling 0 K, Return Gas 20 °C. Data are an indication of performance based simulation.

ENVELOPE



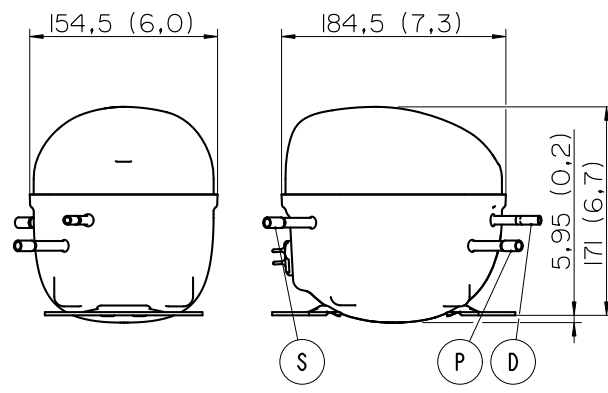
External

EXTERNAL CHARACTERISTICS

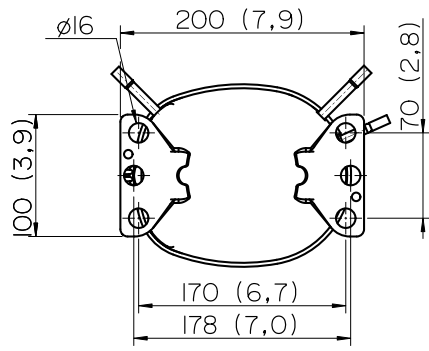
Base Plate		SMALL EUEM	
Tray Holder		YES	
Connector	Internal Diameter	Shape	Material
Suction	6.1 mm	SLANTED 42°	COPPER
Discharge	4.86 mm	STRAIGHT	COPPER
Process	6.1 mm	SLANTED 42°	COPPER

EXTERNAL DIMENSIONS

SHELL



BASE



FENCE

