



Compressor
Voltage Code : FZ

CAJ2464U-FZ

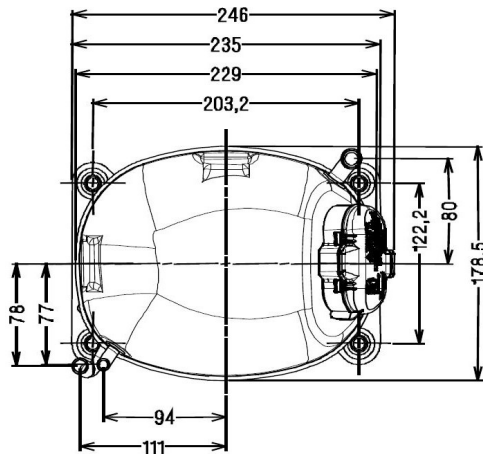
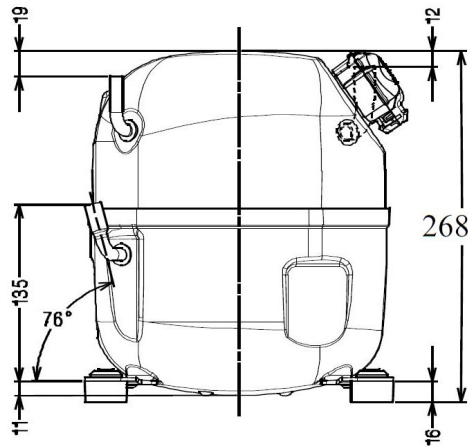
Low Temp. Commercial (BP)

220 - 240V 1~ 50 Hz

R290

AJ2444U-FZ3C

| Conditions | Frequency | Nominal Cooling Capacity | | Sound Power ISO3745 / ISO 3743-1 |
|----------------|-----------|--------------------------|-------|-------------------------------------|
| | | Watts | BTU/h | |
| EN12900 / R290 | 50 Hz | 827 | 2821 | 62 dBA |



* EN12900 : T°Cond. 40.0°C / T°Evap. -35.0°C / T°Return gas temp.. 20.0°C
T°Subcooling. 0.0K

Certificates :

| | |
|-------------------------------------|--------------------------------|
| Displacement (cc) | 34,5 |
| Net Weight (Kg) | 21.0 |
| Oil Quantity (cc) | 575.0 |
| Oil Type | Polyolester |
| Expansion Device | Capillary_Tube/Expansion_Valve |
| Cooling | Fan |
| Main Winding (Ohm) | 1.8 |
| Start Winding (Ohm) | 9.7 |
| Current | |
| RLA (A) | 5 |
| MCC (A) | 8.9 |
| LRA (A) | 35 |
| Electrical Equipment | CSR |
| Overload | MST18AIW |
| Time Check | 2.8s - 5.2s / 29 A |
| Open Temp | 135° C |
| Close Temp | 61° C |
| Optional | T0610 |
| Start Capacitor | 88 µF / 330 V |
| Run Capacitor | 12 µF / 400 V |
| Potential Relay | RVA40** |
| Pick Up | 280/310V |
| Drop Out | 60/121V |
| Refrigerating connection for | |
| Suction Tube | 12.7 (1/2") |
| Discharge Tube | 9.5 (3/8") |
| Process Tube | 6.35 (1/4") |

Note : Tecumseh reserves the right to change information contained in this document without notification.



Tecumseh

| | |
|--------------------|---|
| CAJ2464U-FZ | Tension FZ : 220 - 240V 1~ 50 Hz |
|--------------------|---|

| | | |
|--|------------------------|---------|
| Les performances sont données dans les conditions EN12900 : | Gaz aspirés : | 20.0 °C |
| Condition Dew | Sous refroidissement : | 0.0 K |
| The performance data are in EN12900 conditions : | Return gas : | 20.0 °C |
| Dew Condition | Subcooling : | 0.0 K |

50 Hz R290



N°174ST-FZ

| 4 T condensation | 5 T évaporation | (°C) | -40 | -35 | -30 | -25 | -20 | -15 | -10 |
|--------------------|--------------------|--------|------------|------------|------------|------------|------------|------------|------------|
| 30 | 1 P frigorifique | (Watt) | 740 | 1023 | 1322 | 1649 | 2015 | 2433 | 2914 |
| | 2 P absorbée | (W) | 611 | 701 | 791 | 879 | 960 | 1032 | 1091 |
| | 3 I absorbée | (A) | 3.25 | 3.64 | 4.03 | 4.39 | 4.74 | 5.08 | 5.40 |
| 40 | 1 P frigorifique | (Watt) | 543 | 827 | 1117 | 1424 | 1759 | 2135 | 2564 |
| | 2 P absorbée | (W) | 614 | 716 | 823 | 933 | 1042 | 1147 | 1244 |
| | 3 I absorbée | (A) | 3.14 | 3.67 | 4.18 | 4.67 | 5.15 | 5.61 | 6.05 |
| 50 | 1 P frigorifique | (Watt) | | 631 | 907 | 1189 | 1490 | 1821 | 2194 |
| | 2 P absorbée | (W) | | 729 | 850 | 979 | 1113 | 1247 | 1378 |
| | 3 I absorbée | (A) | | 3.65 | 4.29 | 4.91 | 5.51 | 6.10 | 6.67 |
| 60 | 1 P frigorifique | (Watt) | | | | 964 | 1227 | 1509 | 1822 |
| | 2 P absorbée | (W) | | | | 1029 | 1183 | 1343 | 1505 |
| | 3 I absorbée | (A) | | | | 5.11 | 5.84 | 6.55 | 7.25 |

© 2026 Tecumseh Products Company
All rights reserved

1 = cooling capacity 2 = power input 3 = current 4 = condensing temperature 5 = evaporating temperature

Nota : Tecumseh se réserve le droit de modifier les informations contenues dans ce document sans préavis.

Note : Tecumseh reserves the right to change information contained in this document without notification.