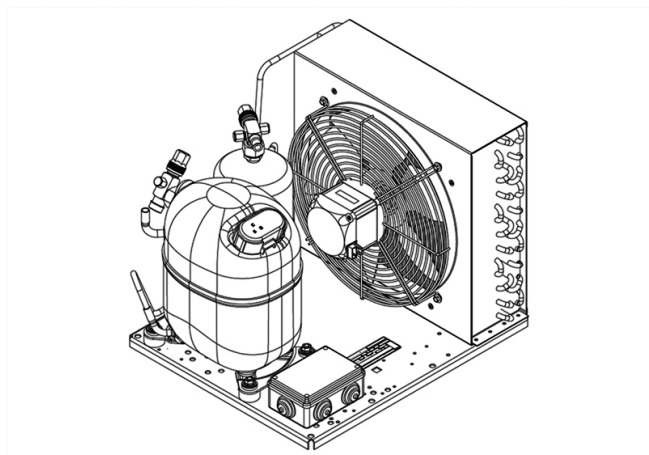


UNJ9226GS



**ENGINEERING CODE**  
648LM5603AA



**REFRIGERANT**  
R-404A



**POWER SUPPLY**  
380-420 V 50 Hz



**APPLICATION**  
HBP



**MOTOR TYPE**  
3PH



**STANDARD**  
ASHRAE



**COOLING CAPACITY**  
2961 W



**EFFICIENCY**  
2.07 W/W

CE

ECODESIGN COMPLIANT

DATA

GENERAL DATA

Model UNJ9226GS

ELECTRICAL DATA

Locked Rotor Amperage (LRA) 10.00 A

Rated Load Amperage (RLA) 2.78 A

Maximum Overcurrent Protection (MOP) 6.25 A

Minimum Current Ampacity (MCA) 3.5 A

ACCESSORIES

Discharge valve SOLDER 3/8" 2110049

Suction valve SOLDER 5/8" 2110054

CONDENSING COMPONENTS

Compressor NJ9226GS M/HBP

Condenser 3R14T 2451221

Refrigerant R-404A

Expansion Device C-V

Fan Blade Diameter 300 mm

Fankit 34W/400V 300/28/5B 1996586

## MECHANICAL DATA

Air Flow	700 m <sup>3</sup> /h
Height	372 mm
Receiver	2.3 L
Shaft Power	34 W
Weight	36 Kg
Width	410 mm
Length	481 mm

## PERFORMANCE

### TESTED CONDITIONS

Tested Refrigerant	R-404A
Tested Application	HBP
Tested Standard	ASHRAE

### RATED POINTS

Ambient Temperature °C	Evaporating Temperature °C	Cooling Capacity W	Efficiency W/W	Consumo de Potencia W
32	7.2	2961	2.07	1432

Test Condition: Subcooling 3 K, Return Gas 32 °C.

### PERFORMANCE CURVE

Ambient Temperature 25°C

Evaporating Temperature °C	Cooling Capacity W	Efficiency W/W	Consumo de Potencia W
-20	1431	1.90	753
-15	1768	2.06	856
-5	2444	2.29	1068
0	2784	2.36	1179
5	3124	2.41	1295
10	3465	2.45	1417

Test Condition: Subcooling 3 K, Return Gas 32 °C.

## PERFORMANCE CURVE

Ambient Temperature 32°C

Evaporating Temperature °C	Cooling Capacity W	Efficiency W/W	Consumo de Potencia W
-20	1258	1.55	809
-15	1521	1.71	889
-5	2115	1.94	1092
0	2445	2.01	1219
5	2799	2.05	1363
10	3175	2.08	1527

Test Condition: Subcooling 3 K, Return Gas 32 °C.

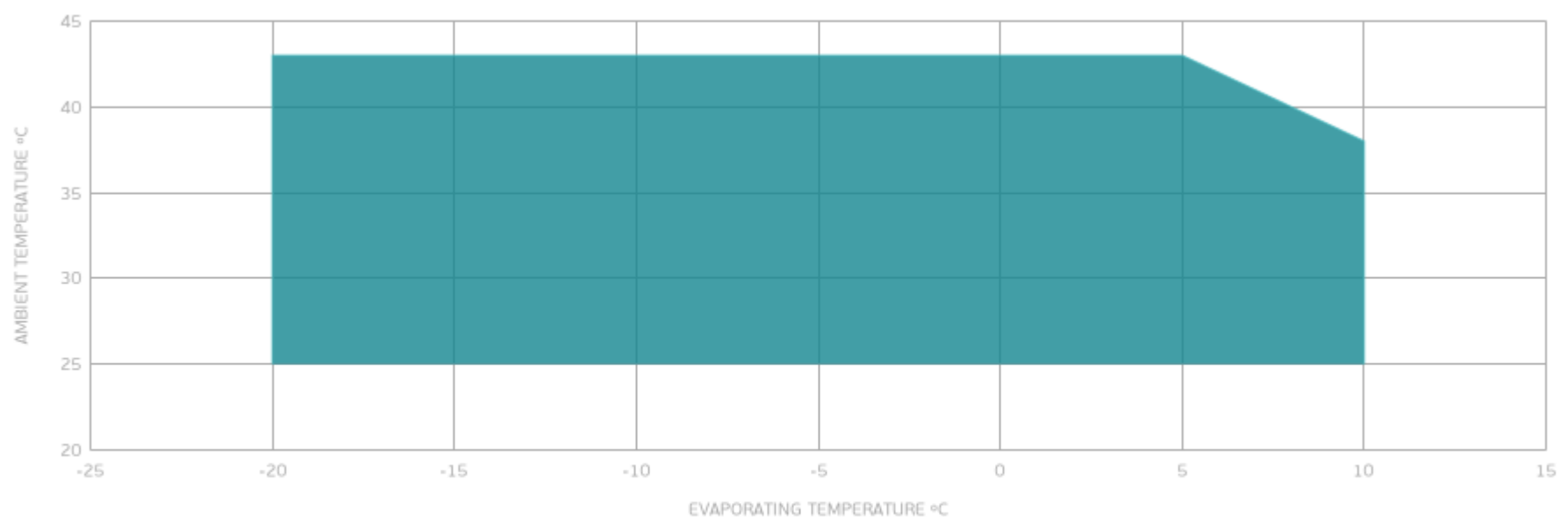
## PERFORMANCE CURVE

Ambient Temperature 43°C

Evaporating Temperature °C	Cooling Capacity W	Efficiency W/W	Consumo de Potencia W
-20	963	1.11	868
-15	1186	1.27	933
-5	1802	1.55	1166
0	2196	1.64	1339
5	2646	1.71	1550

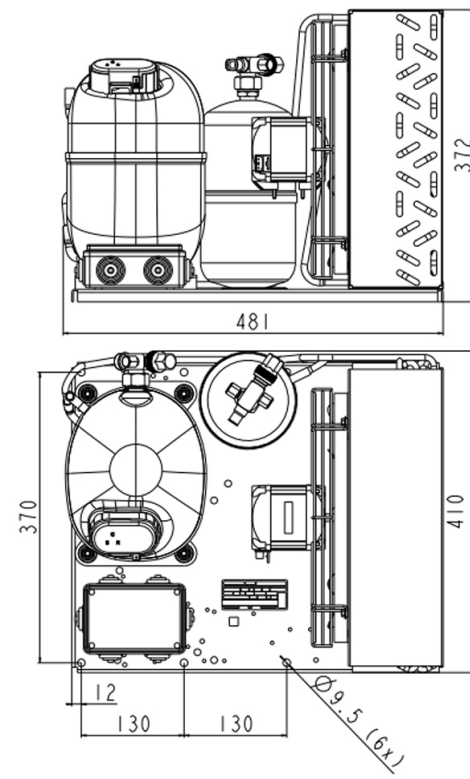
Test Condition: Subcooling 3 K, Return Gas 32 °C.

## ENVELOPE



■ OPERATING CONDITION

## EXTERNAL DIMENSIONS



## WIRING DIAGRAM

