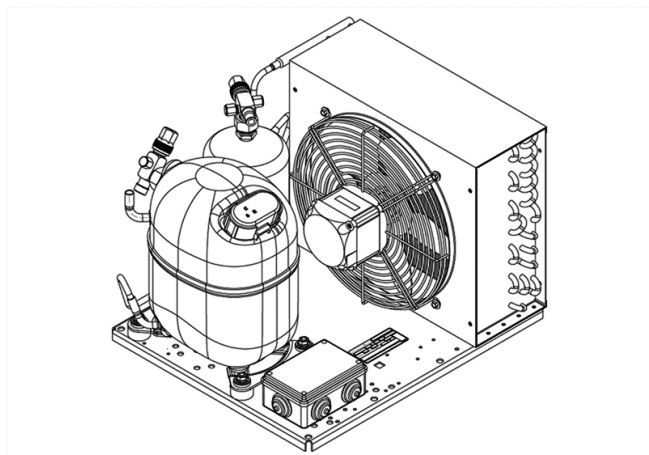


UNJ2212GS



ENGINEERING CODE
647AM5603AA



POWER SUPPLY
380-420 V 50 Hz



MOTOR TYPE
3PH



REFRIGERANT
R-404A



APPLICATION
LBP



STANDARD
ASHRAE



COOLING CAPACITY
1568 W



EFFICIENCY
1.38 W/W

CE

ECODESIGN COMPLIANT

DATA

GENERAL DATA

Model UNJ2212GS

ELECTRICAL DATA

Locked Rotor Amperage (LRA) 13.00 A

Rated Load Amperage (RLA) 2.38 A

Maximum Overcurrent Protection (MOP) 5.35 A

Minimum Current Ampacity (MCA) 3.0 A

ACCESSORIES

Discharge valve SOLDER 3/8" 2110049

Suction valve SOLDER 5/8" 2110054

CONDENSING COMPONENTS

Compressor NJ2212GS LBP

Condenser 3R12T 2451140

Refrigerant R-404A

Expansion Device C-V

Fan Blade Diameter 275 mm

Fankit 34W/400V 275/31 1996582

MECHANICAL DATA

Air Flow	800 m ³ /h
Height	324 mm
Receiver	2.3 L
Shaft Power	34 W
Weight	38 Kg
Width	410 mm
Length	481 mm

PERFORMANCE

TESTED CONDITIONS

Tested Refrigerant	R-404A
Tested Application	LBP
Tested Standard	ASHRAE

RATED POINTS

Ambient Temperature °C	Evaporating Temperature °C	Cooling Capacity W	Efficiency W/W	Consumo de Potencia W
32	-23.3	1568	1.38	1139

Test Condition: Subcooling 3 K, Return Gas 32 °C.

PERFORMANCE CURVE

Ambient Temperature 25°C

Evaporating Temperature °C	Cooling Capacity W	Efficiency W/W	Consumo de Potencia W
-40	762	1.27	600
-30	1342	1.51	889
-25	1639	1.56	1049
-20	1936	1.59	1218
-15	2231	1.60	1397
-10	2521	1.59	1586

Test Condition: Subcooling 3 K, Return Gas 32 °C.

PERFORMANCE CURVE

Ambient Temperature 32°C

Evaporating Temperature °C	Cooling Capacity W	Efficiency W/W	Consumo de Potencia W
-40	724	1.17	621
-30	1215	1.33	916
-25	1477	1.37	1080
-20	1747	1.39	1255
-15	2022	1.40	1440
-10	2300	1.41	1635

Test Condition: Subcooling 3 K, Return Gas 32 °C.

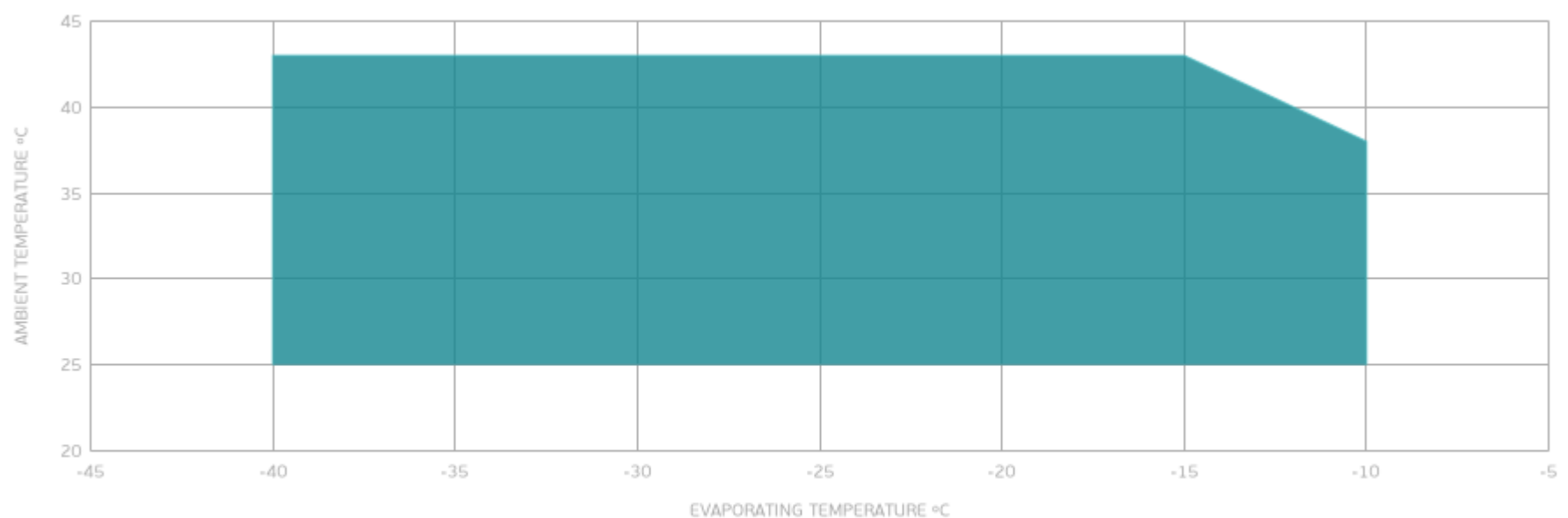
PERFORMANCE CURVE

Ambient Temperature 43°C

Evaporating Temperature °C	Cooling Capacity W	Efficiency W/W	Consumo de Potencia W
-40	493	0.86	574
-30	901	1.01	890
-25	1139	1.07	1066
-20	1396	1.11	1254
-15	1670	1.15	1454

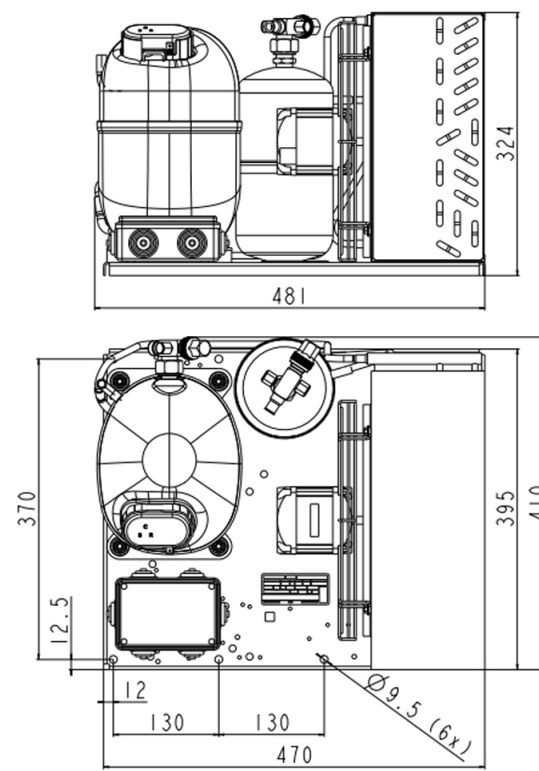
Test Condition: Subcooling 3 K, Return Gas 32 °C.

ENVELOPE



■ OPERATING CONDITION

EXTERNAL DIMENSIONS



WIRING DIAGRAM

