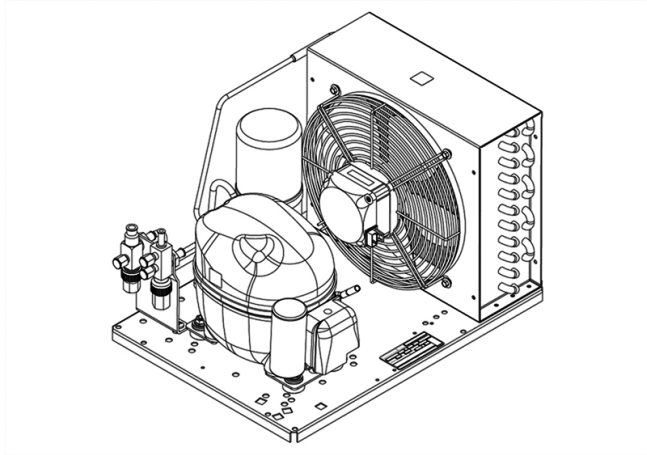


UNEK6210Z



ENGINEERING CODE
558BA8212AA



POWER SUPPLY
220-240 V 50 Hz



MOTOR TYPE
CSIR



REFRIGERANT
R-134a



APPLICATION
HBP



STANDARD
ASHRAE



COOLING CAPACITY
1102 W



EFFICIENCY
2 W/W

CE

ECODESIGN COMPLIANT

DATA

GENERAL DATA

Model UNEK6210Z

ELECTRICAL DATA

Locked Rotor Amperage (LRA) 16.10 A

Rated Load Amperage (RLA) 3.30 A

Maximum Overcurrent Protection (MOP) 7.42 A

Minimum Current Ampacity (MCA) 4.1 A

ACCESSORIES

Discharge valve FLARE 1/4" 2110085

Suction valve FLARE 3/8" 2110059

CONDENSING COMPONENTS

Compressor NEK6210Z M/HBP

Condenser 3R11T 2451206

Refrigerant R-134a

Expansion Device C-V

Fan Blade Diameter 254 mm

Fankit 16W 254/28/5B 1996579

MECHANICAL DATA

Air Flow	595 m ³ /h
Height	296 mm
Receiver	1.1 L
Shaft Power	16 W
Weight	21 Kg
Width	340 mm
Length	465 mm

PERFORMANCE

TESTED CONDITIONS

Tested Refrigerant	R-134a
Tested Application	HBP
Tested Standard	ASHRAE

RATED POINTS

Ambient Temperature °C	Evaporating Temperature °C	Cooling Capacity W	Efficiency W/W	Consumo de Potencia W
32	7.2	1102	2	550

Test Condition: Subcooling 3 K, Return Gas 32 °C.

PERFORMANCE CURVE

Ambient Temperature 25°C

Evaporating Temperature °C	Cooling Capacity W	Efficiency W/W	Consumo de Potencia W
-15	544	1.61	339
-5	822	1.98	416
0	975	2.11	461
5	1138	2.23	511
10	1309	2.32	565

Test Condition: Subcooling 3 K, Return Gas 32 °C.

PERFORMANCE CURVE

Ambient Temperature 32°C

Evaporating Temperature °C	Cooling Capacity W	Efficiency W/W	Consumo de Potencia W
-15	495	1.42	349
-5	745	1.74	429
0	885	1.86	475
5	1033	1.96	526
10	1191	2.05	582

Test Condition: Subcooling 3 K, Return Gas 32 °C.

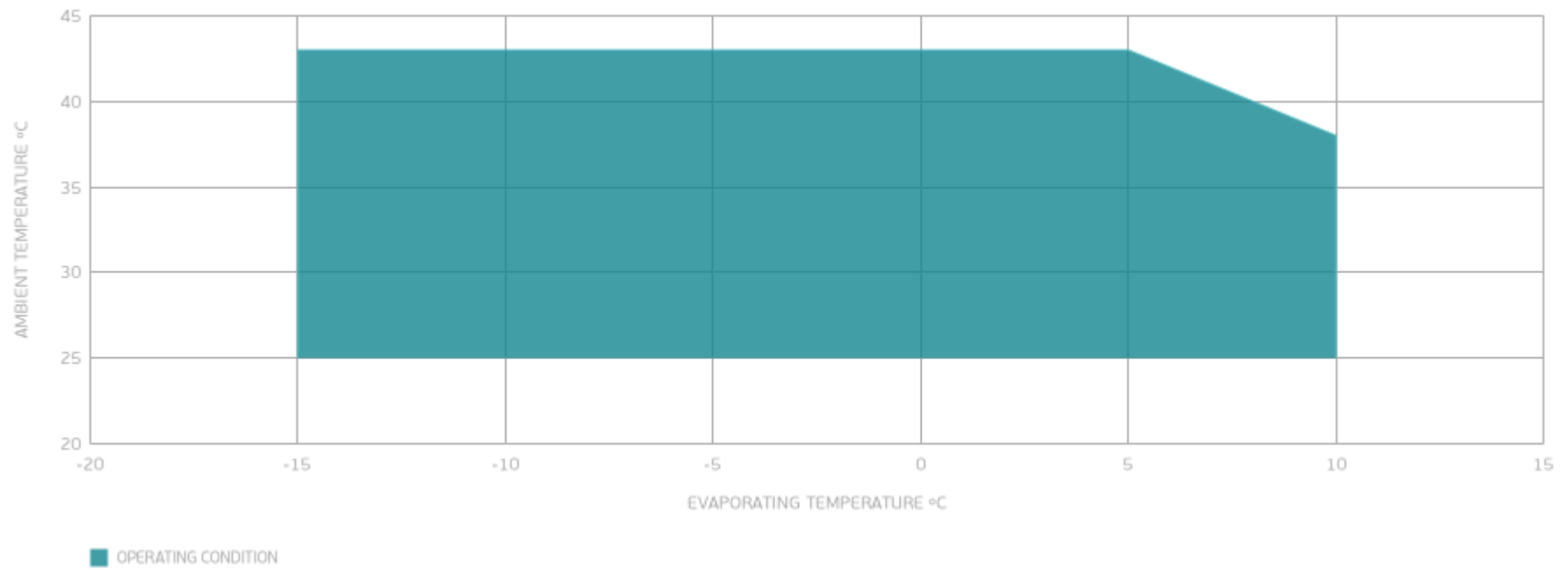
PERFORMANCE CURVE

Ambient Temperature 43°C

Evaporating Temperature °C	Cooling Capacity W	Efficiency W/W	Consumo de Potencia W
-15	382	1.04	366
-5	612	1.35	452
0	741	1.48	502
5	880	1.58	556

Test Condition: Subcooling 3 K, Return Gas 32 °C.

ENVELOPE



EXTERNAL DIMENSIONS

